

L213 L215 L218 L220 L223 L225 L230
200 SERIES SKID STEER LOADERS



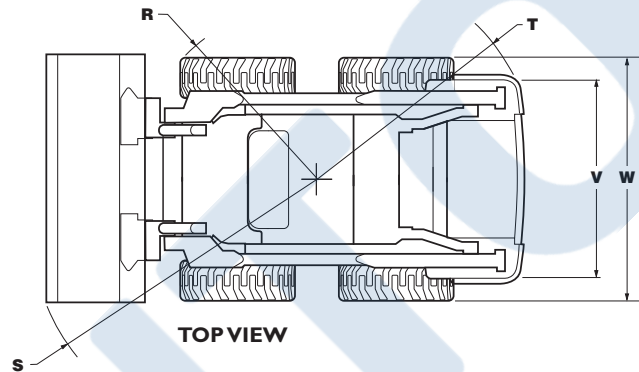
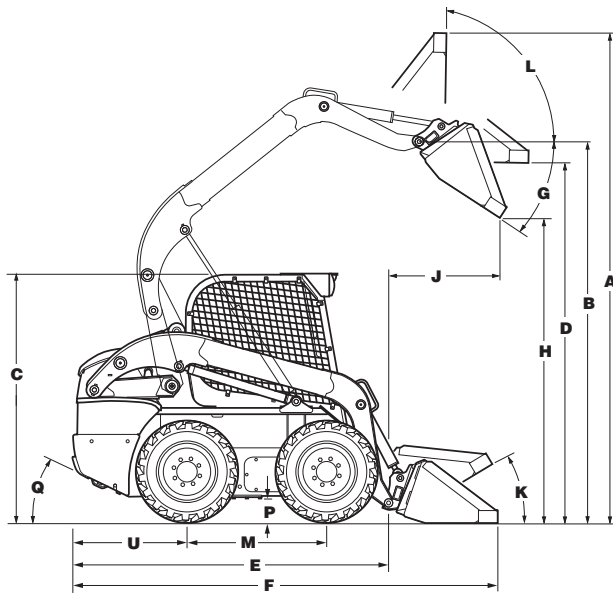
200
SERIES



BUILT AROUND YOU

Super Boom® Skid Steer Specifications

DIMENSIONS



DIMENSIONS	L218	L220	L223	L225	L230
Overall operating height					
A. with foundry/excavating bucket short lip	3820 mm	3845 mm	4056 mm	4056 mm	4096 mm
A. with low profile/standard lip bucket	3927 mm	3952 mm	4159 mm	4159 mm	4199 mm
A. with low profile extended/long lip bucket	4055 mm	4080 mm	4287 mm	4287 mm	4327 mm
Height to					
B. Bucket hinge pin	3048 mm	3073 mm	3290 mm	3290 mm	3330 mm
C. Top of ROPS	1974 mm	1998 mm	2002 mm	2002 mm	2042 mm
D. Bottom of level bucket, fully raised	2877 mm	2902 mm	3115 mm	3115 mm	3155 mm
Overall length					
E. without attachment with coupler	2685 mm	2685 mm	2993 mm	2986 mm	2986 mm
F. with foundry excavation bucket on ground	3352 mm	3338 mm	3631 mm	3624 mm	3624 mm
F. with low profile bucket	3456 mm	3440 mm	3727 mm	3727 mm	3727 mm
F. with low profile extended bucket	3585 mm	3569 mm	3863 mm	3856 mm	3856 mm
Dump					
G. Dump angle,	52°	52°	55°	55°	55°
H. Dump height					
with foundry/excavating bucket short lip	2377 mm	2402 mm	2615 mm	2615 mm	2655 mm
with low profile/standard lip bucket	2251 mm	2276 mm	2556 mm	2556 mm	2596 mm
J. Dump reach (max height)	783 mm	758 mm	820 mm	820 mm	780 mm
Maximum attachment rollback					
K. Bucket on ground	35°	34°	34°	34°	33°
L. Bucket at full height	88°	88°	85°	85°	85°
Wheelbase and Clearance					
M. Wheelbase	1128 mm	1128 mm	1322 mm	1322 mm	1322 mm
P. Ground clearance (bottom of belly pan)	178 mm	203 mm	203 mm	203 mm	243 mm
Q. Angle of departure	23°	25°	24°	24°	27°
Clearance circle					
R. without bucket,	1289 mm	1289 mm	1428 mm	1428 mm	1428 mm
S. with foundry bucket in carry position	2021 mm	2055 mm	2039 mm	2039 mm	2155 mm
w/66" bucket		w/72" bucket	w/72" bucket	w/72" bucket	w/78" bucket
S. with low profile bucket on ground	2132 mm	2150 mm	2210 mm	2210 mm	2246 mm
w/66" bucket		w/72" bucket	w/72" bucket	w/72" bucket	w/78" bucket
S. with extended low profile on ground, in (mm)	2250 mm	2268 mm	2323 mm	2323 mm	2352 mm
w/66" bucket		w/72" bucket	w/72" bucket	w/72" bucket	w/78" bucket
T. Clearance circle rear	1606 mm	1599 mm	1796 mm	1789 mm	1789 mm
U. Rear axle to bumper	924 mm	924 mm	1034 mm	1034 mm	1034 mm
V. Tread width	1371 mm	1448 mm	1448 mm	1465 mm	1465 mm
w/10" x 16.5" tires		w/12" x 16.5" tires	w/12" x 16.5" tires	w/12" x 16.5" tires	w/12" x 16.5" tires
W. Overall width	1678 mm	1755 mm	1758 mm	1758 mm	1930 mm

Super Boom® Skid Steer Specifications

ENGINE	L218	L220	L223	L225	L230
Manufacturer/model	ISM / N844LT	ISM / N844LT	FPT / F5C E9454	FPT / F5C E9454	FPT / F5C E9454
Type	Diesel 4-stroke, Turbo, I.D.I.	Diesel 4-stroke, Turbo, I.D.I.	Diesel 4-stroke, Turbo, D.I.	Diesel 4-stroke, Turbo, D.I.	Diesel 4-stroke, Turbo, D.I.
Cylinder	4	4	4	4	4
Bore/stroke	84 x 100 mm	84 x 100 mm	99 x 104 mm	99 x 104 mm	99 x 104 mm
Displacement	2.2 l	2.2 l	3.2 l	3.2 l	3.2 l
Fuel injection	Indirect	Indirect	Direct	Direct	Direct
Fuel	#2 diesel	#2 diesel	#2 diesel	#2 diesel	#2 diesel
Fuel filter	In-line w/water separator	In-line w/water separator	In-line w/water separator	In-line w/water separator	In-line w/water separator
Air intake	Turbocharged w/ internal EGR	Turbocharged w/ internal EGR	Turbocharged w/ external EGR	Turbocharged w/ external EGR	Turbocharged w/ external EGR
Cooling	Liquid	Liquid	Liquid	Liquid	Liquid
Engine speeds					
High idle - no load	3080 +/- 50 rpm	3080 +/- 50 rpm	2675 +/- 75 rpm	2675 +/- 75 rpm	2675 +/- 75 rpm
Rated - full load	2900 rpm	2900 rpm	2500 rpm	2500 rpm	2500 rpm
Low idle	1200 +/-50 rpm	1200 +/-50 rpm	1075 +/- 75 rpm	1075 +/- 75 rpm	1075 +/- 75 rpm
Horsepower per SAE J1349					
Gross hp (kW)	60 (45) @ 2900 rpm	60 (45) @ 2900 rpm	74 (55) @ 2500 rpm	82 (61) @ 2500 rpm	90 (67) @ 2500 rpm
Net hp (kW)	57 (42) @ 2900 rpm	57 (42) @ 2900 rpm	68 (51) @ 2500 rpm	76 (57) @ 2500 rpm	84 (63) @ 2500 rpm
Peak torque	171 Nm @ 1800 rpm	171 Nm @ 1800 rpm	275 Nm @ 1400 rpm	305 Nm @ 1400 rpm	340 Nm @ 1400 rpm

POWER TRAIN	L218	L220	L223	L225	L230
Drive pump mechanical					
Pump to engine ratio	1:1	1:1	1:1	1:1	1:1
Displacement	35 cc	35 cc	2.81 cc	2.81 cc	2.81 cc
Flow at rated engine rpm @100% eff.,	102 Lpm	102 Lpm	115 Lpm	115 Lpm	115 Lpm
Charge pressure	24.5 bar	24.5 bar	24.5 bar	24.5 bar	24.5 bar
System relief	345 bar	345 bar	345 bar	345 bar	345 bar
Control	Direct mechanical	Direct mechanical	Mechanical servo	Mechanical servo	Mechanical servo
Drive pump electro hydraulic					
Pump to engine ratio	1:1	1:1	1:1	1:1	1:1
Displacement	35 cc	35 cc	46 cc	46 cc	46 cc
Flow	102 Lpm	102 Lpm	115 Lpm	115 Lpm	115 Lpm
Charge pressure	25 bar	25 bar	25 bar	25 bar	25 bar
System relief	360 bar	360 bar	360 bar	360 bar	360 bar
Control	Electro hydraulic	Electro hydraulic	Electro hydraulic	Electro hydraulic	Electro hydraulic
Drive motors					
Max displacement	325 cc	325 cc	470 cc	470 cc	470 cc
Displacement opt high speed	200 cc	200 cc	282 cc	282 cc	282 cc
Speed @ high idle engine	313 rpm	313 rpm	244 rpm	244 rpm	244 rpm
Speed @ optional high speed	509 rpm	509 rpm	408 rpm	408 rpm	408 rpm
Torque @ max displ. and relief pressure	1784 Nm	1784 Nm	2694 Nm	2694 Nm	2694 Nm
Travel speed					
Low range	11.9 km/h	12.1 km/h	11.6 km/h	11.6 km/h	12.1 km/h
High range (optional)	18.5 km/h	19 km/h	19.2 km/h	19.2 km/h	19.6 km/h
Final drive	Single-reduction chain drive				
Drive chain					
Size	ASA #80	ASA #80	ASA #100	ASA #100	ASA #100
Axles					
Diameter	50.8 mm	50.8 mm	61.94 mm	61.94 mm	61.94 mm
Length	384 mm	384 mm	398.7 mm	398.7 mm	398.7 mm
Parking brake					
Type	Spring applied, hydraulic release disc				
Engagement	Depress on/off brake button on instrument panel, disconnect lapbelt, get off seat, or stop engine				

Super Boom® Skid Steer Specifications

HYDRAULIC SYSTEM	L218	L220	L223	L225	L230
Pumps					
Type	Gear	Gear	Gear	Gear	Gear
Displacement standard aux.	24.9 cc	24.9 cc	34.1 cc	34.1 cc	34.1 cc
Displacement high flow aux.	12.5 cc	12.5 cc	18.3 cc	18.3 cc	18.3 cc
Pump flow	72 Lpm	72 Lpm	85 Lpm	85 Lpm	85 Lpm
Optional high flow	108 Lpm	108 Lpm	131 Lpm	131 Lpm	131 Lpm
Loader control valve					
Type	3 spool / open center / series				
Relief pressure	207 bar	207 bar	207 bar	207 bar	207 bar
Hydraulic filter	6 micron / spin on	6 micron / spin on	6 micron / spin on	6 micron / spin on	6 micron / spin on

CYLINDERS	L218	L220	L223	L225	L230
Lift cylinder					
Bore diameter	57 mm	57 mm	64 mm	64 mm	64 mm
Rod diameter	35 mm	35 mm	45 mm	45 mm	45 mm
Stroke in	681mm	681mm	852 mm	852 mm	852 mm
Closed length	982 mm	982 mm	1192 mm	1192 mm	1192 mm
Bucket cylinders					
Bore diameter	64 mm	70 mm	76 mm	76 mm	76 mm
Rod diameter	35 mm	35 mm	38 mm	38 mm	38 mm
Stroke	410 mm	410 mm	410 mm	410 mm	410 mm
Closed length	610 mm	610 mm	610 mm	610 mm	610 mm

WEIGHTS	L218	L220	L223	L225	L230
Operating weight	2660 kg	2900 kg	3350 kg	3580 kg	3765 kg
Shipping weight, with bucket	2520 kg	2765 kg	3200 kg	3430 kg	3610 kg

SERVICE CAPACITIES	L218	L220	L223	L225	L230
Fuel tank	75.5 l	75.5 l	96.5 l	96.5 l	96.5 l
Engine oil with filter	8.5 l	8.5 l	10 l	10 l	10 l
Hydraulic system					
Reservoir	16.2 l	16.2 l	22.75 l	22.75 l	22.75 l
Chain tanks (per side)	6.7 l	6.7 l	7.4 l	7.4 l	7.4 l

PERFORMANCE SPECS	L218	L220	L223	L225	L230
Rated operating load					
50% tip	818 kg	905 kg	1020 kg	1135kg	1360 kg
Tipping load	1632 kg	1814 kg	2041kg	2268 kg	2722 kg
Breakout forces					
Lift cylinder	12.2 kN	11.6 kN	22.6 kN	22.6 kN	22 kN
Bucket cylinder	24.2 kN	31.8 kN	38.2 kN	38.2 kN	38.2 kN
Cycle times					
Raise	3.0 sec	3.0 sec	3.9 sec	3.9 sec	3.9 sec
Lower	2.4 sec	2.4 sec	2.5 sec	2.5 sec	2.5 sec
Dump	2.2 sec	2.6 sec	2.7 sec	2.7 sec	2.7 sec
Roll back	1.5 sec	1.8 sec	2.0 sec	2.0 sec	2.0 sec

For all Dimensions and Performance Metrics, unless otherwise specified:

L218 -Equipped with 79 kg operator, 66" Dirt & Foundry Bucket with 10 x 16.5 tires

L220 - Equipped with 79 kg operator, 66" Dirt & Foundry Bucket with 12 x 16.5 tires

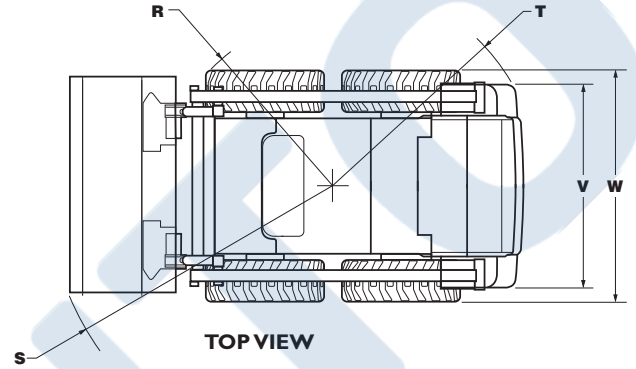
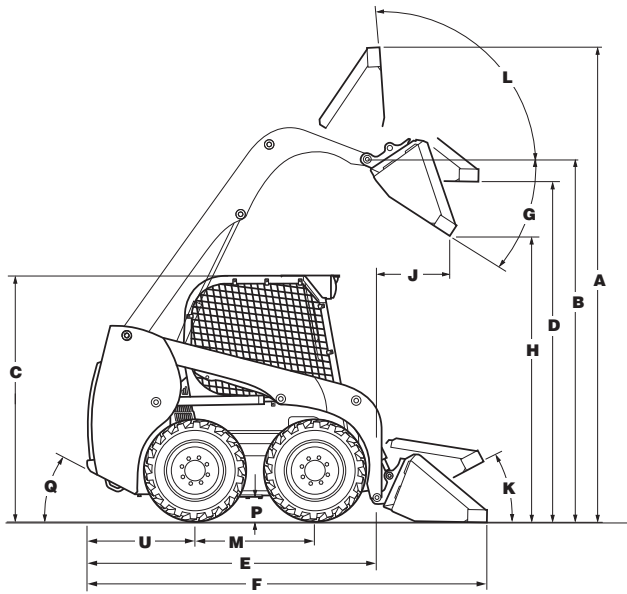
L223 - Equipped with 79 kg operator, 72" Dirt & Foundry Bucket with 12 x 16.5 tires

L225 - Equipped with 79 kg operator, 72" Dirt & Foundry Bucket with 12 x 16.5 tires

L230 - Equipped with 79 kg operator, 78" Dirt & Foundry Bucket with 14 x 17.5 tires

Skid Steer Specifications (Radial Lift)

DIMENSIONS



DIMENSIONS	L213	L215
Overall operating height		
A. with foundry/excavating bucket short lip	3591 mm	3591 mm
A. with low profile/standard lip bucket	3732 mm	3732 mm
A. with low profile extended/long lip bucket	3859 mm	3859 mm
Height to		
B. Bucket hinge pin	2845 mm	2845 mm
C. Top of ROPS	1919 mm	1919 mm
D. Bottom of level bucket, fully raised	2682 mm	2682 mm
Overall length		
E. without attachment with coupler	2435 mm	2435 mm
F. with foundry excavation bucket on ground	3028 mm	3028 mm
F. with low profile bucket	3175 mm	3175 mm
F. with low profile extended bucket	3297 mm	3297 mm
Dump		
G. Dump angle	40°	40°
H. Dump height		
with foundry/excavating bucket short lip	2246 mm	2246 mm
with low profile/standard lip bucket	2154 mm	2154 mm
J. Dump reach (max height)	469 mm	469 mm
Maximum attachment rollback		
K. Bucket on ground	26°	26°
L. Bucket at full height	95°	95°
Wheelbase and Clearance		
M. Wheelbase	941 mm	941 mm
P. Ground clearance (bottom of belly pan)	178 mm	178 mm
Q. Angle of departure	22°	22°
Clearance circle		
R. without bucket	1237 mm	1237 mm
S. with 1.52 m foundry bucket in carry position	1920 mm	1920 mm
S. with 1.52 m low profile bucket on ground	1994 mm	1994 mm
S. with 1.52 m extended low profile on ground	2112 mm	2112 mm
T. Clearance circle rear	1433 mm	1433 mm
U. Rear axle to bumper	858 mm	858 mm
V. Tread width	1248 mm w/10" x 16.5" tires	1248 mm w/10" x 16.5" tires
W. Overall width	1518 mm	1518 mm

Skid Steer Specifications (Radial Lift)

ENGINE	L213	L215
Manufacturer/model	ISM / N844	ISM / N844T
Type	Diesel 4-stroke, I.D.I.	Diesel 4-stroke, T, I.D.I.
Cylinder	4	4
Bore/stroke	84 x 90 mm	84 x 90 mm
Displacement	2.0 l	2.0 l
Fuel injection	Indirect	Indirect
Fuel	#2 diesel	#2 diesel
Fuel filter	In-line strainer	In-line strainer
Air intake	Naturally aspirated w/ internal EGR	Turbocharged w/ internal EGR
Cooling	Liquid	Liquid
Engine speeds		
High idle - no load	3140 +/- 50 rpm	3140 +/- 50 rpm
Rated - full load	2900 rpm	2900 rpm
Low idle	1080 +/- 50 rpm	1080 +/- 50 rpm
Horsepower per SAE J1349		
Gross hp (kW)	46 (34.3) @ 2900 rpm	52 (38.8) @ 2900 rpm
Net hp (kW)	43 (31.8) @ 2900 rpm	49 (36.3) @ 2900 rpm
Peak torque	130.5 Nm @ 1750 rpm	148 Nm @ 1750 rpm

POWERTRAIN	L213	L215
Drive pump mechanical		
Pump to engine ratio	1:1	1:1
Displacement	35 cc	35 cc
Flow, gpm	102 Lpm	102 Lpm
Charge pressure	25 bar	25 bar
System relief	345 bar	345 bar
Control	Direct mechanical	Direct mechanical
Drive motors		
Max displacement	325 cc	325 cc
Displacement opt high speed	NA	NA
Speed @ high idle engine	313 rpm	313 rpm
Speed @ optional high speed	NA	NA
Torque @ max displ. and relief pressure	1784 Nm	1784 Nm
Travel speed		
Low range	10.8 km/h	10.8 km/h
High range (optional), mph (km/h)	NA	NA
Final drive	Single-reduction chain drive	Single-reduction chain drive
Drive chain		
Size	ASA #80	ASA #80
Axles		
Diameter	50.8 mm	50.8 mm
Length	346 mm	346 mm
Parking brake		
Type	Spring applied, hydraulic release disc	Spring applied, hydraulic release disc
Engagement	Depress on/off brake button on instrument panel, disconnect lapbelt, get off seat, or stop engine	Depress on/off brake button on instrument panel, disconnect lapbelt, get off seat, or stop engine

Skid Steer Specifications (Radial Lift)

HYDRAULIC SYSTEM	L213	L215
Pumps		
Type	Gear	Gear
Displacement standard aux.	20.4 cc	20.4 cc
Displacement high flow aux.	N/A	N/A
Pump flow	59 Lpm	59 Lpm
Optional high flow	N/A	N/A
Loader control valve		
Type	3 Spool / open center / series	3 Spool / open center / series
Relief pressure	207 bar	207 bar
Hydraulic filter	6 micron / spin on	6 micron / spin on

CYLINDERS	L213	L215
Lift cylinder		
Bore diameter	57 mm	57 mm
Rod diameter	35 mm	35 mm
Stroke in	645 mm	645 mm
Closed length	989 mm	989 mm
Bucket cylinders		
Bore diameter	57 mm	57 mm
Rod diameter	32 mm	32 mm
Stroke	370 mm	370 mm
Closed length	594 mm	594 mm

WEIGHTS	L213	L215
Operating weight	2270 kg	2400 kg
Shipping weight	2130 kg	2270 kg

SERVICE CAPACITIES	L213	L215
Fuel tank	60.5 l	60.5 l
Engine oil with filter	7.5 l	7.5 l
Hydraulic system		
Reservoir	15.13 l	15.13 l
Chain tanks (per side)	6.3 l	6.3 l

PERFORMANCE SPECS	L213	L215
Rated operating load		
50% tip	590 kg	680 kg
Tipping load	1179 kg	1361 kg
Breakout forces		
Lift cylinder	19 kN	19 kN
Bucket cylinder	18.5 kN	18.5 kN
Cycle times		
Raise	3.4 sec	3.4 sec
Lower	2.1 sec	2.1 sec
Dump	1.9 sec	1.9 sec
Roll back	1.3 sec	1.3 sec

For all Dimensions and Performance Metrics, unless otherwise specified:

L213 – Equipped with 175 lb operator, 60" Dirt & Foundry Bucket and 10 x 16.5 tires

L215 – Equipped with 175 lb operator, 60" Dirt & Foundry Bucket and 10 x 16.5 tires

L213 L215 L218 L220 L223 L225 L230 200 SERIES SKID STEER LOADERS

Built Around You

Introducing the new 200 Series skid steer loaders. **With five years in the making, they're bigger, badder and better!**

New Holland engineers used input from hundreds of customers to design our new line of skid steers. Designed from the ground up, these machines were built around you. No matter what your line of work - agriculture, landscaping or construction – you'll work faster, smarter and more profitably with our new skid steers.

- New Holland's patented vertical lift Super Boom® design has best-in-class forward dump height and reach. It's more efficient to load materials to the center of the truck.
- Our industry leading bucket breakout force and dump angle provide fast cycle times and improve productivity.
- With the longest wheelbase in the industry and a low center of gravity, New Holland skid steers are the most stable machines on the market. Confident operators get more work done.
- Need more room? The widest, most comfortable cab in the industry gives you more head and foot room, and offers twice the visibility in critical zones. Better visibility allows efficient movement around the worksite.
- Comfortable operators get more work done. Just a few new convenience features include: keyless start, a Glide Ride option, available heated or air-ride seat and a self-leveling bucket feature.
- Daily maintenance just got easier. Our ground-level service checkpoints are easy to access and grouped together. Plus, the new flip-top cab tilts forward for complete component access.



With over 55 attachments available for the new 200 Series skid steers, these machines are multi-task masters! Whether you work in agriculture, landscaping or construction, New Holland delivers the equipment to get the job done right.

AT YOUR OWN DEALERSHIP

The information contained in this brochure is intended to be of general nature. The NEW HOLLAND CONSTRUCTION MACHINERY S.p.A. company may at any time and from time to time, for technical or other necessary reasons, modify any of the details or specifications of the product described in this brochure. Illustrations do not necessarily show products in standard conditions. The dimensions, weights and capacities shown herein, as well as any conversion data used, are approximate only and are subject to variations within normal manufacturing techniques.

Printed on recycled paper
CoC-FSC 000010 CQ Mixed sources



Printed in Italy - MediaCross Firenze - Cod. IRI 109NCGB prelim - Printed 03/11



BUILT AROUND YOU

WWW.NEWHOLLAND.COM