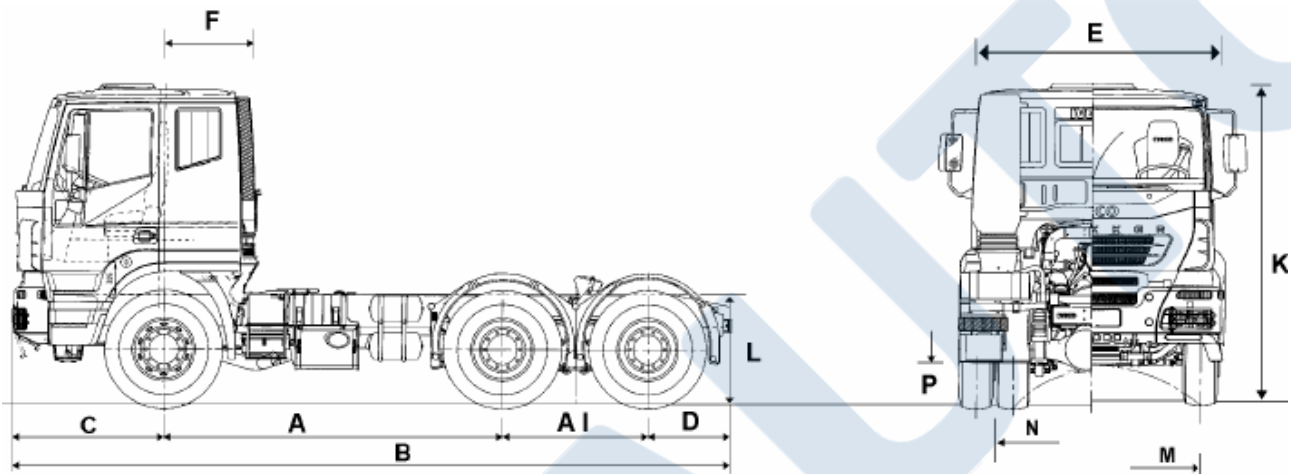


IVECO

TRAKKER



ACTIVE TIME AT720T42TH - 6x4 TRACTOR – sleeping cab



PLATED/DESIGN WEIGHTS (kg)		GVW	GCW	Front Axle	Rear Axle	
Plated weights		33000	60000	7500	26000	
Design weights		33000	60000	7500	26000	
KERBWEIGHTS (kg)		3200	3500			
Front		4990	5015			
Rear		5110	5125			
Total		10100	11140			
MAXIMUM BODY/ PAYLOAD (kg)		22900	22860			
DIMENSIONS (mm)						
A	Wheelbase	+ 1.380	3200	3500		
B	Overall length (over bumpers)	sleeper	6844	7159		
C	Front overhang		1440	1440		
D	Rear overhang	sleeper	785	785		
E	Cab width ((over bumper lamps)		2550	2550		
K	Cab H (unladen) (Long - 4mm)		3132	3132		
L	Frame height Short cab (Long)		1097	1098		
	Frame thickness		10	10		
	Turning circle (wall to wall)		15950	16650		
	Min ground clearance Frt/Rr	374/304				
TYRES & WHEELS		Tyre Code	Tyre Size		Wheels	
			Front	Rear	Front	Rear
Standard	20497	12.00R20	12.00R20		20x8.50	20x8.50
Option	20764	12.00R24	12.00R24		24x8.50	24x8.50
	20079	13R22.5	13R22.5		22.5x9.00	22.5x9.00
	20081	13R22.5	13R22.5		22.5x9.00	22.5x9.00
	20790	315/80R22.5	315/80R22.5		22.5x9.00	22.5x9.00

NOTES

Weights are to standard specification and include water, oils and 20 litres of fuel but exclude driver, spare wheel, carrier and chocks. Kerb weights are subject to a manufacturing tolerance of +/-5%. A sleeper cab standard roof adds 140kgs to the kerb weight.
November 2005 – E.E. - Provisional

ACTIVE TIME AT720T42TH

ENGINE Iveco cursor 13 F3B E0681V*A

Cylinders	6
Bore (mm)	135
Stroke (mm)	150
Capacity (litres)	12.880
Power (kw/HP)	309/420
@ rpm	1900
Torque (Nm/Kgm)	1900/194
@ rpm	900-1485
Rating	Euro 2 (Euro 3 Option)
Governor	All speed
Cooling fan	Viscodynamic
Fuel system	Unit injector
Speed limiter	Driver programmable to 90 km/h
Cruise control	On request (-2463-)

GEARBOXES

Iveco			
ZF16S221OD			
1 st	13.80	10 th	2.53
2 nd	11.54	11 th	2.08
3 rd	9.49	12 th	1.74
4 th	7.93	13 th	1.43
5 th	6.53	14 th	1.20
6 th	5.46	15 th	1.00
7 th	4.57	16 th	0.84
8 th	3.82		
9 th	3.02	Rev. 1st	12.92
Rev	12.92	Rev. 2nd	10.80

PERFORMANCE

ZF16S221OD				
<i>(with tyres 12.00R20)</i>				
Axle ratios available	5.01	4.67	5.56	6.09
Geared speed (kmph)	92.8	99.5	83.6	76
Gradeability % @ GVW (33t)	88	78	100	100
Gradeability % @ GCW (60t)	38	35	43	49
ZF16S221OD				
<i>(with tyres 12.00R24)</i>				
Axle ratios available	5.01	4.67	5.56	6.09
Geared speed (kmph)	101	109	91	83
Gradeability % @ GVW (33t)	76	68	91	100
Gradeability % @ GCW (60t)	35	32	39	44

CLUTCH

Type	Single plate, diaphragm spring, pull type, asbestos free
Diameter (mm)	(17")

BRAKES

Type	Drum (Duo-Duplex)
Front	180 x 410mm pad width / drum diameter
Rear	200 x 410mm pad width / drum diameter
ABS system	ABS+EBL rear
Parking	Mechanical with spring cylinder
Friction area front	2884 cm ²
Friction area rear	3220 x 2 cm ²
Air tank	5 x 20 litres
Compressor	352cc – single cylinder
Air dryer	Standard

CHASSIS

Type	Ladder construction with pressed steel side members and riveted and bolted cross members		
Wheelbases (mm)	Thickness(mm)	Depth (mm)	Flange width (mm) T
3200-3500	10	309	80

ELECTRICS

Type	24v
Alternator	28/90
Starter	24v, 5.0 kW
Battery	2x12v, 170Ah
	Protection by fuse

SUSPENSION

Front	Parabolic Springs
Rear	Semi-elliptic Springs
Anti-roll bar	Torsion bar – Front Axle
Shock absorbers	2 Front and 2 rear

STEERING

Type	Hydraulic
Ratio	Height + steering wheel angle

AXLES

Front	5886/2D; Rigid, "I" Beam section
Rear	453291/2D, rigid, hub reduction
Diff lock	
Standard ratios	3.2

FUEL TANK

Type	300 litres. Locking fuel cap
------	------------------------------

CAB INTERIOR

Forward control cab. 3 way adjustable-plastic cover driver's seat. Passenger seat adjustment in height, longitudinal and back inclination. Seatbelts on request (-590-). Overhead lockers with doors. Windowless rear cab wall with document net. Enclosed glove box. Air vents with 4 of fan speed. All gauges monitored using international symbols. Tachograph. Fully adjustable steering column. Column mounted control stalks. Overhead console for radio/CB. Courtesy and map reading lights. Steering wheel diameter: 500 mm.. Lower bunk.

CAB EXTERIOR

Suspension – helical springs and dampers. Hydraulic tilt to 60 deg. Pressed steel construction with SMC for vulnerable parts. Manual door windows and laminated screen. 2 rear view mirrors.

